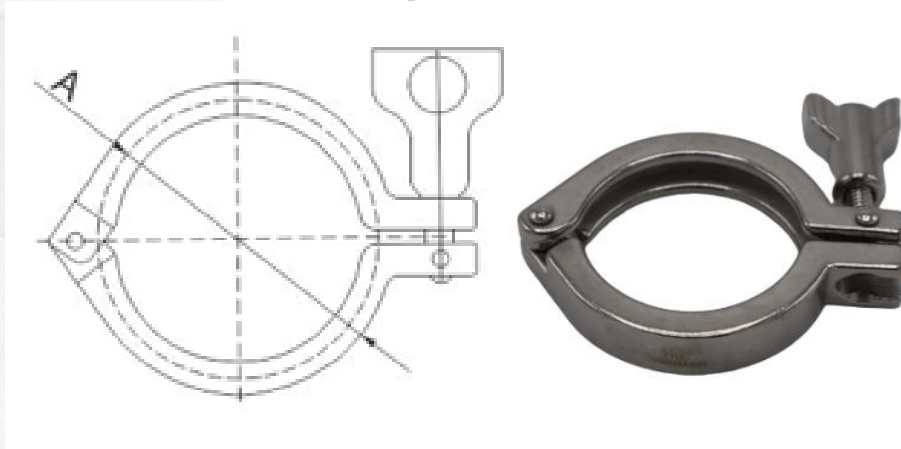




5 Myer Court | Beverley
 South Australia | 5009
 1300 853 250
www.mcc-ltd.com.au
info@mcc-ltd.com.au

Tri-Clover Clamp



SPECIFICATION

Tri-Clover Clamp – Single Pin Heavy Duty
 Standard: BS4825 / ISO 2852 / DIN 32676 / 3A 63-04
 Pressure Rating: 15 bar

MATERIAL

AISI 304 Austenitic Stainless Steel

DIMENSIONAL

NPS (DN)	Part #	A (mm)
25	1015TCC	53.9
50	2TCC	67.4
80	3TCC	94.4
100	4TCC	122.4

SURFACE FINISH

Ra = 0.4-0.6µm

MARKINGS

XTCC – X is variable dependant on the size of the liner, refer to “Dimensional” table to see example of part number

