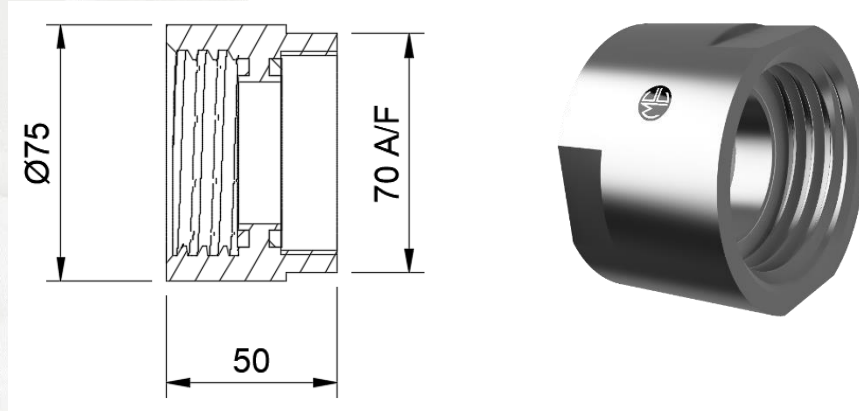




5 Myer Court | Beverley
 South Australia | 5009
 1300 853 250
www.mcc-ltd.com.au
info@mcc-ltd.com.au

IBC S60X6 x 50MM Female BSPP Adapter



SPECIFICATION

Stainless Steel 316 IBC S60mmx6mm Pitch Female x 50mm Female BSPP with White Polyethylene Gasket

MATERIAL

Body: ASTM A276 Stainless Steel 316/316L

Gasket: White Polyethylene

DIMENSIONAL

NPS (DN)	Part #	A (mm)	B (mm)	C (mm)	Weight (kg)	Pressure Rating (bar)
50	IBC200SS	75	50	70	0.79	20

MANUFACTURER'S CERTIFICATE

Certificate to BS EN 10204 3.1 available upon request at time of order.

STANDARDS

IBC S60X6 Buttress thread conforming to DIN 6063

2" BSPP conforming to ISO 7.1

